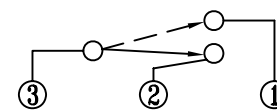
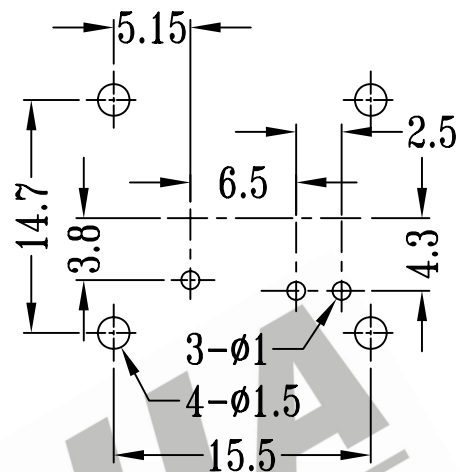
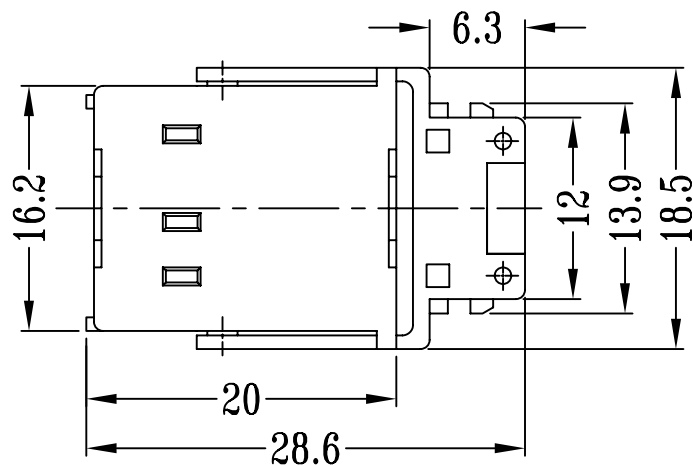
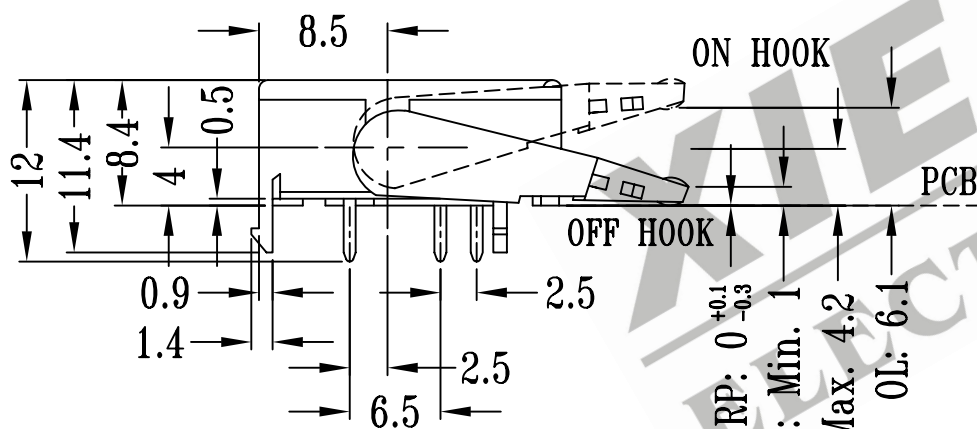


CAD FILE:

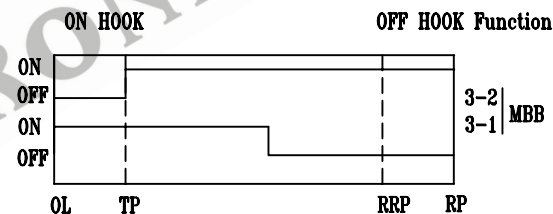


SCHEMATIC

P.C.B LAYOUT



RP: 0<sup>+0.1</sup><sub>-0.3</sub>  
 RRP: Min. 1  
 TB: Max. 4.2  
 OL: 6.1



OPERATING FORCE: 60±20gf

注:带"\*"表示关键尺寸(7个)

8	SPRING	30# SUS	1	TEMPER	TOLERANCE UNLESS SPECIFIED	SHENZHEN XIEJIA ELECTRONICS CO.,LTD.				
7	CONTACT POINT	BRASS	1	Au PLATED						
6	TERMINAL	Ti-Cu STRIP	1	Au PLATED	WITHIN: 1.5±0.1mm	ISSUE	DATE	DESCRIPTIONS		APPD.
5	TERMINAL	BRASS STRIP	1	Au PLATED	OVER : 1.5±0.2mm					
4	TERMINAL	BRASS STRIP	1	Au PLATED	TITLE : HOOK SWITCH		UNIT : MM	DRWG NO.: XJ-DR-HS12L06-00		
3	KNOB	NYLON+30%GLASS	1	WHITE	MODEL: HS-12L06		SCALE: 1 : 1	DWN.	ZHOUYU	2005-12-5
2	COVER	PBT+30%GLASS	1	BLACK	ALL MATERIALS MUST BE COMPLIANT TO ROHS		APPD.	CHK'D	FANGYING	2005-12-5
1	CASE	PBT+30%GLASS	1	BLACK				KANGXINAN	2005-12-5	
NO.	PART NAME	MATERIAL	Q'TY	FINISHING						